

# Connector Unit

## CUMI



Technical Data	Unit	D-Line	C-Line	B-Line	A-Line
Nominal current	A	160	200	250	250 315 400 500 600
Rated current	A	160	250	285	315 380 450 500 600
Rated voltage	V	1'000			
Rated frequency	Hz	50 / 60			
Withstand voltage (1 Min / 50 Hz)	V	4'000			
Protection grade		IP 55			
Shock resistance		IK 07			
Ambient temperature	°C	-40 / +70			
Insulation resistance (phase to phase and phase to earth)	MOhm	> 500			
Comparative tracking index of the insert	CTI	> 600			
Weight 4-pol. (3L+PEN)	kg	25.1		45.6	
Weight 5-pol. (3L+N+PE)	kg	25.3		47.1	
Connector bolts for cable shoes		M8		M10	
Max. cross section pilot cable, conductor (EN 60228 Class 1)	mm <sup>2</sup>	4		4	
Diameter of cable					
- normal	mm	20 - 70			
other diameters on request					

Technical modifications reserved

# Structure

## Locking system

Male connector will be connected to connector unit. Switch is manually set to the „ON“ position. Connector is now under load and is mechanically locked via a linkage integrated in the connector unit.

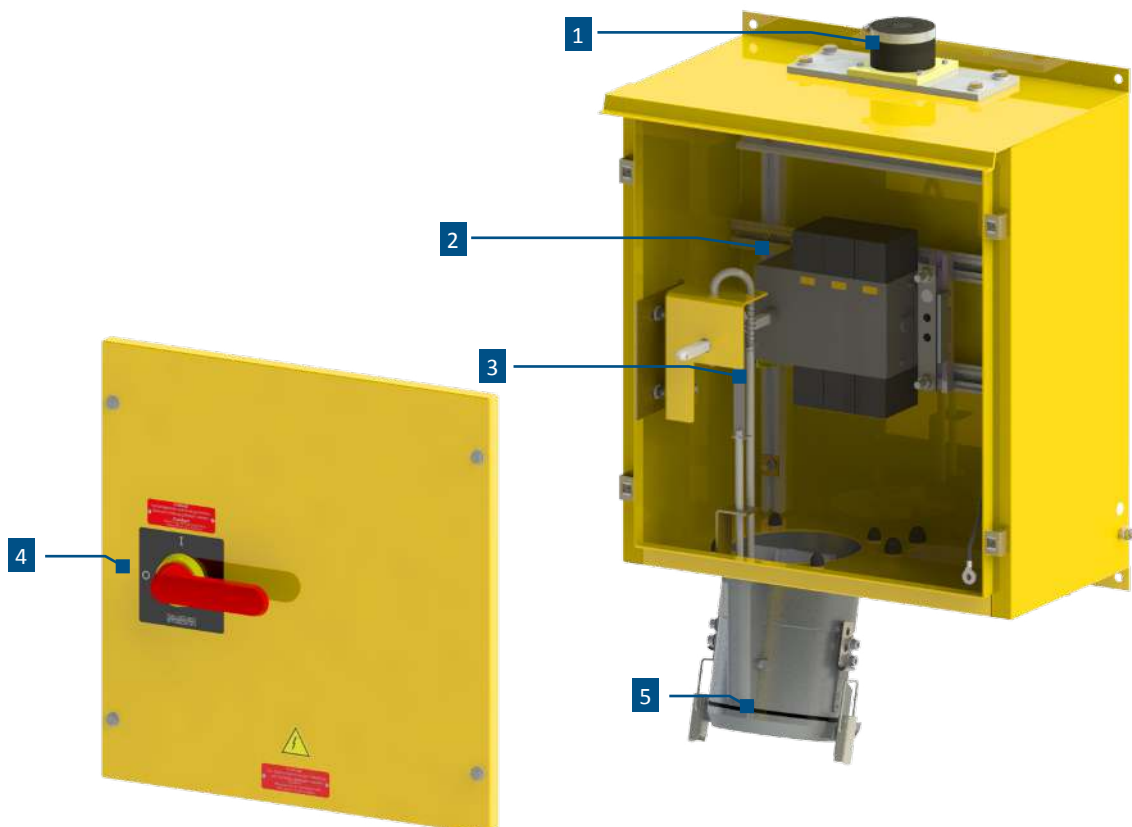
Only by moving the switch to the „OFF“ position the connector can be disconnected from the connector unit.

## Important!

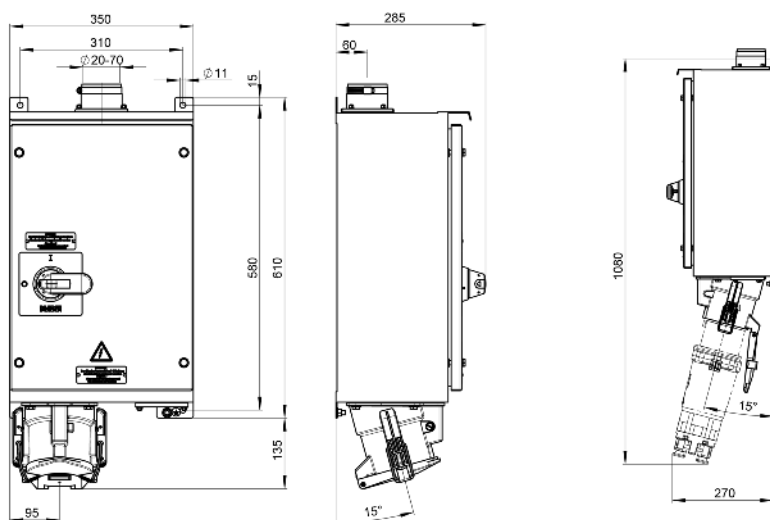
Plugging is not possible under load!

## Construction of a CUMI connector unit

1. Cable gland
2. Load break switch
3. Linkage
4. Switch
5. Panel Mounted Receptacle

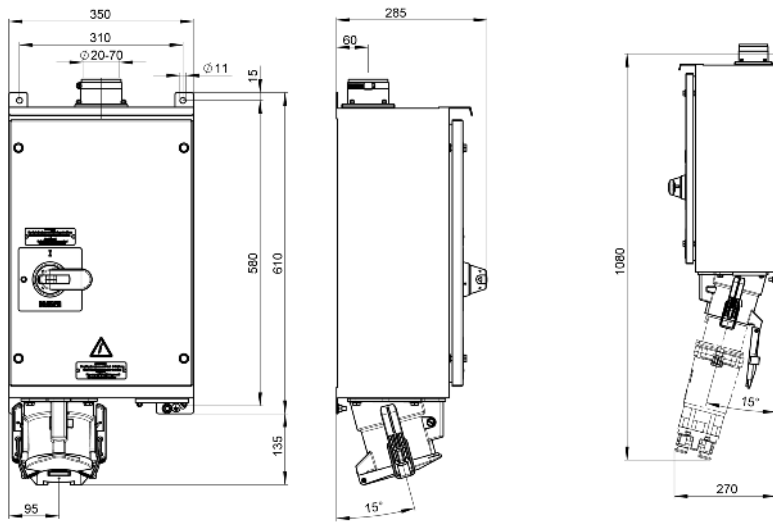


# CUMI D - Line



Current	No. of Poles	Voltage	Type designation	Article No.
160 A	4 (3L+PEN)	230V	CUMI-S4/160 230V-9h	25360
		400V	CUMI-S4/160 400V-6h	25361
		500V	CUMI-S4/160 500V-7h	25362
		690V	CUMI-S4/160 690V-5h	25363
		1000V	CUMI-S4/160 1000V-1h	25364
	5 (3L+N+PE)	230V	CUMI-S5/160 230V-9h	25375
		400V	CUMI-S5/160 400V-6h	25376
		500V	CUMI-S5/160 500V-7h	25377
		690V	CUMI-S5/160 690V-5h	25378
		1000V	CUMI-S5/160 1000V-1h	25379

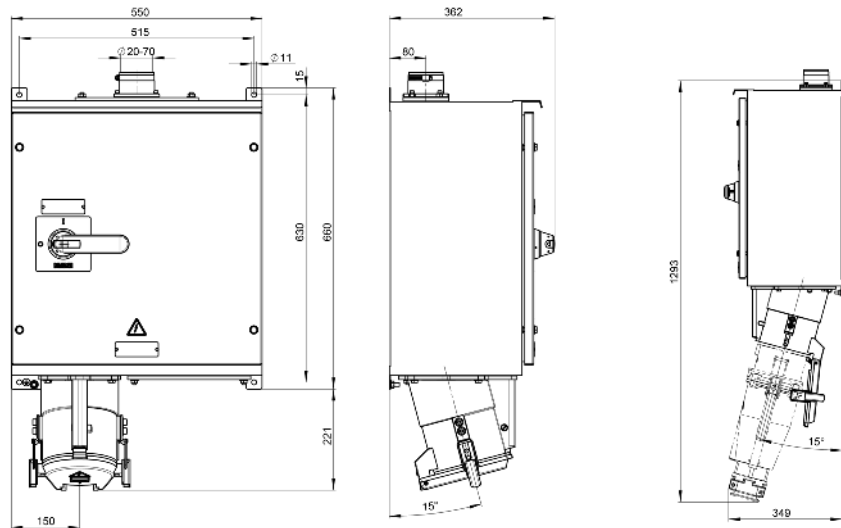
# CUMI C - Line



Current	No. of Poles	Voltage	Type designation	Article No.
200 A	4 (3L+PEN)	230V	CUMI-S4/200 230V-9h	11790
		400V	CUMI-S4/200 400V-6h	11791
		500V	CUMI-S4/200 500V-7h	11792
		690V	CUMI-S4/200 690V-5h	11793
		1000V	CUMI-S4/200 1000V-1h	11794
	5 (3L+N+PE)	230V	CUMI-S5/200 230V-9h	11795
		400V	CUMI-S5/200 400V-6h	11796
		500V	CUMI-S5/200 500V-7h	11797
		690V	CUMI-S5/200 690V-5h	11798
		1000V	CUMI-S5/200 1000V-1h	11799
250 A	4 (3L+PEN)	230V	CUMI-S4/250 230V-9h	22160
		400V	CUMI-S4/250 400V-6h	22161
		500V	CUMI-S4/250 500V-7h	22162
		690V	CUMI-S4/250 690V-5h	22163
		1000V	CUMI-S4/250 1000V-1h	22164
	5 (3L+N+PE)	230V	CUMI-S5/250 230V-9h	22165
		400V	CUMI-S5/250 400V-6h	22166
		500V	CUMI-S5/250 500V-7h	22167
		690V	CUMI-S5/250 690V-5h	22168
		1000V	CUMI-S5/250 1000V-1h	22169

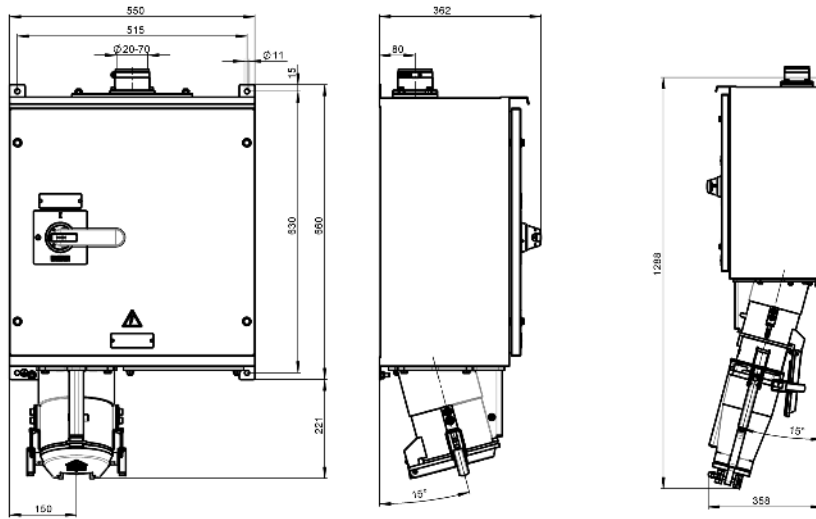


# CUMI B - Line



Current	No. of Poles	Voltage	Type designation	Article No.
250A	4 (3L+PEN)	230V	CUMI-S4/250 230V-9h	11800
		400V	CUMI-S4/250 400V-6h	11801
		500V	CUMI-S4/250 500V-7h	11802
		690V	CUMI-S4/250 690V-5h	11803
		1000V	CUMI-S4/250 1000V-1h	11804
	5 (3L+N+PE)	230V	CUMI-S5/250 230V-9h	11805
		400V	CUMI-S5/250 400V-6h	11806
		500V	CUMI-S5/250 500V-7h	11807
		690V	CUMI-S5/250 690V-5h	11808
		1000V	CUMI-S5/250 1000V-1h	11809
315 A	4 (3L+PEN)	230V	CUMI-S4/315 230V-9h	22960
		400V	CUMI-S4/315 400V-6h	22961
		500V	CUMI-S4/315 500V-7h	22962
		690V	CUMI-S4/315 690V-5h	22963
		1000V	CUMI-S4/315 1000V-1h	22964
	5 (3L+N+PE)	230V	CUMI-S5/315 230V-9h	22965
		400V	CUMI-S5/315 400V-6h	22966
		500V	CUMI-S5/315 500V-7h	22967
		690V	CUMI-S5/315 690V-5h	22968
		1000V	CUMI-S5/315 1000V-1h	22969
400 A	4 (3L+PEN)	230V	CUMI-S4/400 230V-9h	11810
		400V	CUMI-S4/400 400V-6h	11811
		500V	CUMI-S4/400 500V-7h	11812
		690V	CUMI-S4/400 690V-5h	11813
		1000V	CUMI-S4/400 1000V-1h	11814
	5 (3L+N+PE)	230V	CUMI-S5/400 230V-9h	11815
		400V	CUMI-S5/400 400V-6h	11816
		500V	CUMI-S5/400 500V-7h	11817
		690V	CUMI-S5/400 690V-5h	11818
		1000V	CUMI-S5/400 1000V-1h	11819

# CUMI A - Line



Current	No. of Poles	Voltage	Type designation	Article No.
500 A	4 (3L+PEN)	230V	CUMI-S4/500 230V-9h	25365
		400V	CUMI-S4/500 400V-6h	25366
		500V	CUMI-S4/500 500V-7h	25367
		690V	CUMI-S4/500 690V-5h	25368
		1000V	CUMI-S4/500 1000V-1h	25369
	5 (3L+N+PE)	230V	CUMI-S5/500 230V-9h	25380
		400V	CUMI-S5/500 400V-6h	25381
		500V	CUMI-S5/500 500V-7h	25382
		690V	CUMI-S5/500 690V-5h	25383
		1000V	CUMI-S5/500 1000V-1h	25384
600 A	4 (3L+PEN)	230V	CUMI-S4/600 230V-9h	25370
		400V	CUMI-S4/600 400V-6h	25371
		500V	CUMI-S4/600 500V-7h	25372
		690V	CUMI-S4/600 690V-5h	25373
		1000V	CUMI-S4/600 1000V-1h	25374
	5 (3L+N+PE)	230V	CUMI-S5/600 230V-9h	25385
		400V	CUMI-S5/600 400V-6h	25386
		500V	CUMI-S5/600 500V-7h	25387
		690V	CUMI-S5/600 690V-5h	25388
		1000V	CUMI-S5/600 1000V-1h	25389

