

# Connector Unit

## CUBC



Technical Data	Unit	D-Line	C-Line	B - Line	A-Line
Nominal current	A	160	200	250	250 315 400 500 600
Rated current	A	160	250	285	315 380 450 500 600
Rated voltage	V	1'000			
Rated frequency	Hz	50 / 60			
Withstand voltage (1 Min / 50 Hz)	V	4'000			
Protection grade		IP 55			
Shock resistance		IK 07			
Ambient temperature	°C	-40 / +70			
Insulation resistance (phase to phase and phase to earth)	MOhm	> 500			
Comparative tracking index of the insert	CTI	> 600			
Weight 4-pol. (3L+PEN)	kg	25.1		45.6	
Weight 5-pol. (3L+N+PE)	kg	25.3		47.1	
Connection bolts for cable shoes		M8		M10	
Max. cross section pilot cable, conductor (EN 60228 Class 1)	mm <sup>2</sup>	4			
Diameter of cable					
- normal	mm	20 - 70			
other diameters on request					

Technical modifications reserved

# Structure

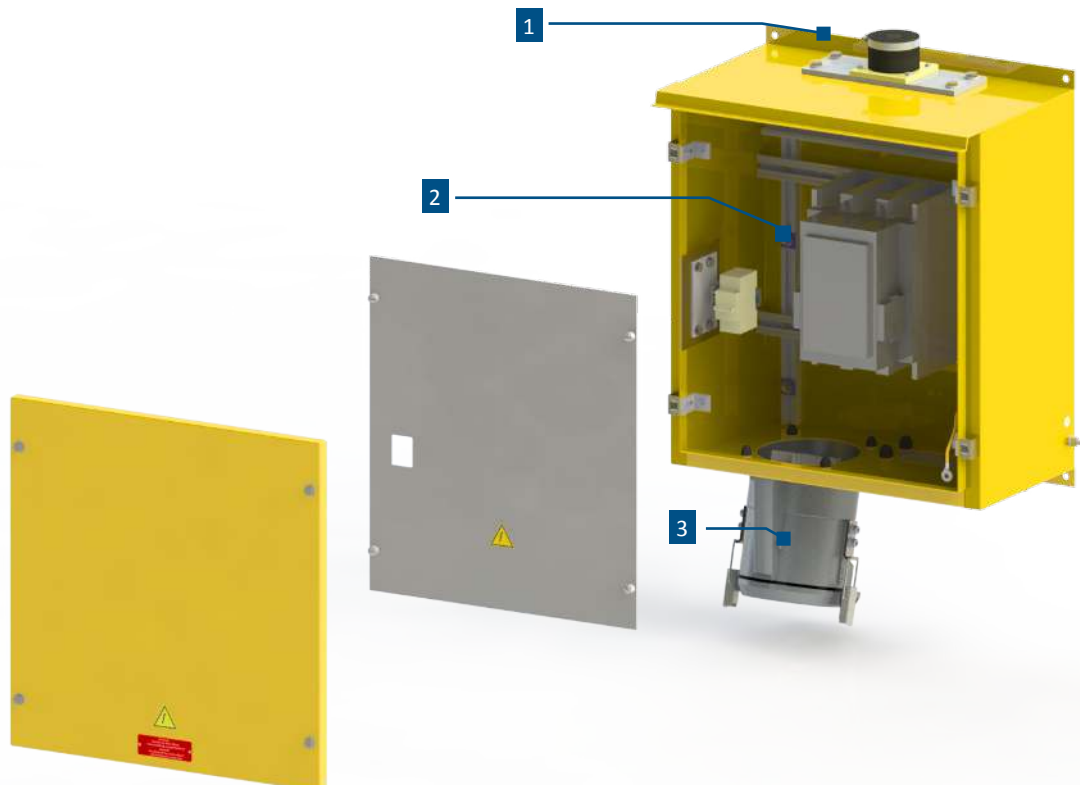
## Locking system

A contactor is installed in the CUBC connector unit. During every plug-in operation, the standardly installed pilot contacts in the connector transmit a signal to the contactors.

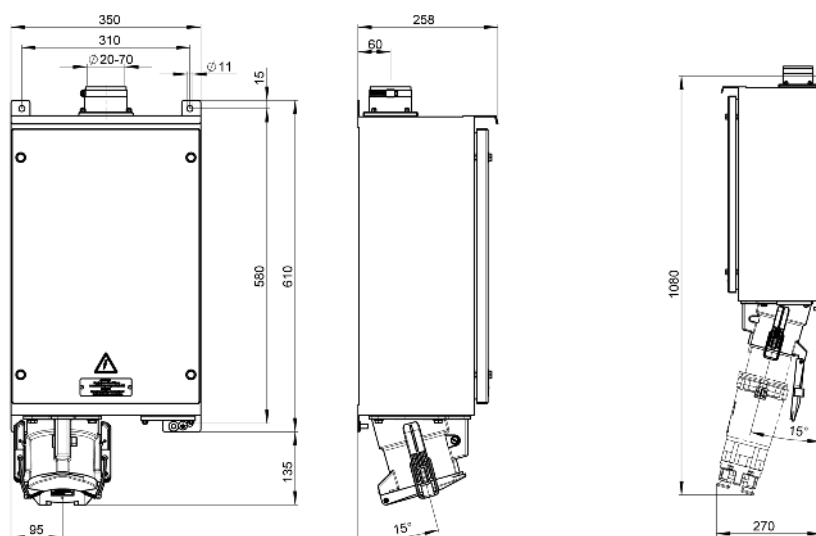
The main contacts in the connector unit are subsequently closed. Thus the connection is under load. Furthermore, the electrical connection will be disconnected immediately by the pilot contacts, if an unintentional manual disconnection is conducted.

## Construction of a CUBC connection box

1. Cable gland
2. Contactor
3. Panel Mounted Receptacle

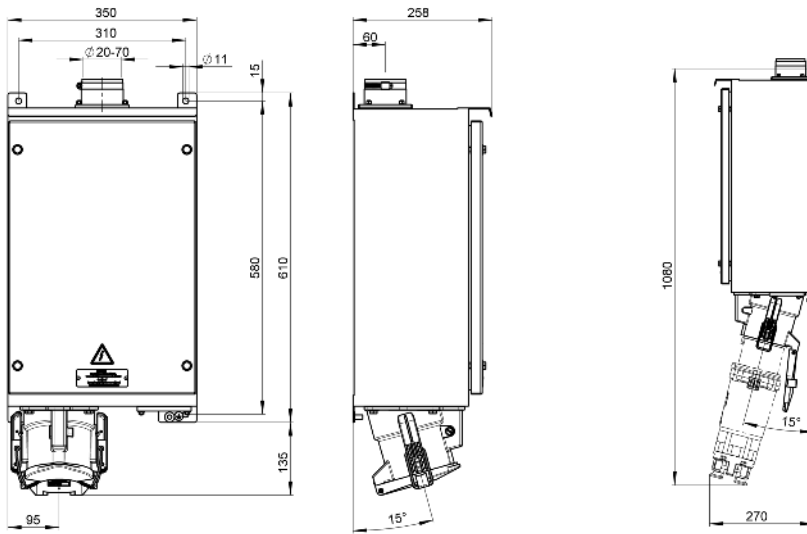


# CUBC D - Line



Current	No. of Poles	Voltage	Type designation	Article No.
160 A	4 (3L+PEN)	230V	CUBC-S4/160 230V-9h	25390
		400V	CUBC-S4/160 400V-6h	25391
		500V	CUBC-S4/160 500V-7h	25392
		690V	CUBC-S4/160 690V-5h	25393
		1000V	CUBC-S4/160 1000V-1h	25394
	5 (3L+N+PE)	230V	CUBC-S5/160 230V-9h	25405
		400V	CUBC-S5/160 400V-6h	25406
		500V	CUBC-S5/160 500V-7h	25407
		690V	CUBC-S5/160 690V-5h	25408
		1000V	CUBC-S5/160 1000V-1h	25409

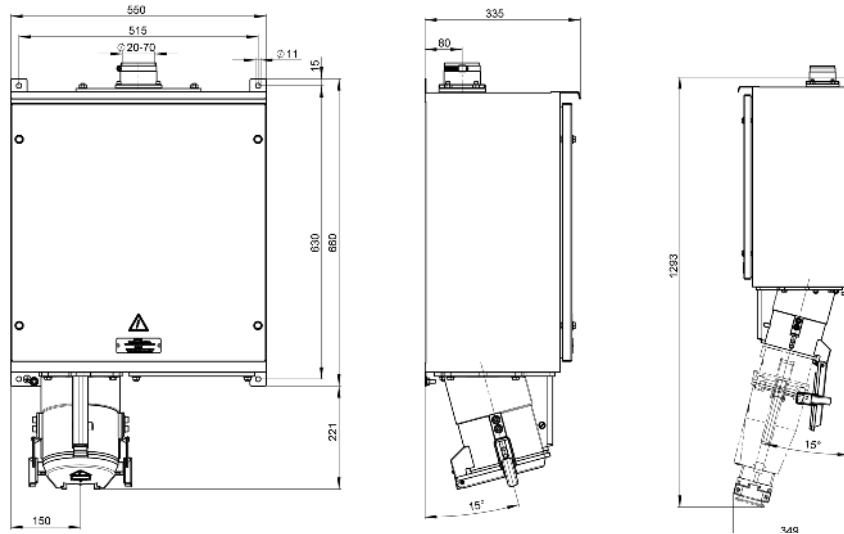
# CUBC C - Line



Current	No. of Poles	Voltage	Type designation	Article No.
200 A	4 (3L+PEN)	230V	CUBC-S4/200 230V-9h	11820
		400V	CUBC-S4/200 400V-6h	11821
		500V	CUBC-S4/200 500V-7h	11822
		690V	CUBC-S4/200 690V-5h	11823
		1000V	CUBC-S4/200 1000V-1h	11824
	5 (3L+N+PE)	230V	CUBC-S5/200 230V-9h	11825
		400V	CUBC-S5/200 400V-6h	11826
		500V	CUBC-S5/200 500V-7h	11827
		690V	CUBC-S5/200 690V-5h	11828
		1000V	CUBC-S5/200 1000V-1h	11829
250 A	4 (3L+PEN)	230V	CUBC-S4/250 230V-9h	22170
		400V	CUBC-S4/250 400V-6h	22171
		500V	CUBC-S4/250 500V-7h	22172
		690V	CUBC-S4/250 690V-5h	22173
		1000V	CUBC-S4/250 1000V-1h	22174
	5 (3L+N+PE)	230V	CUBC-S5/250 230V-9h	22175
		400V	CUBC-S5/250 400V-6h	22176
		500V	CUBC-S5/250 500V-7h	22177
		690V	CUBC-S5/250 690V-5h	22178
		1000V	CUBC-S5/250 1000V-1h	22179

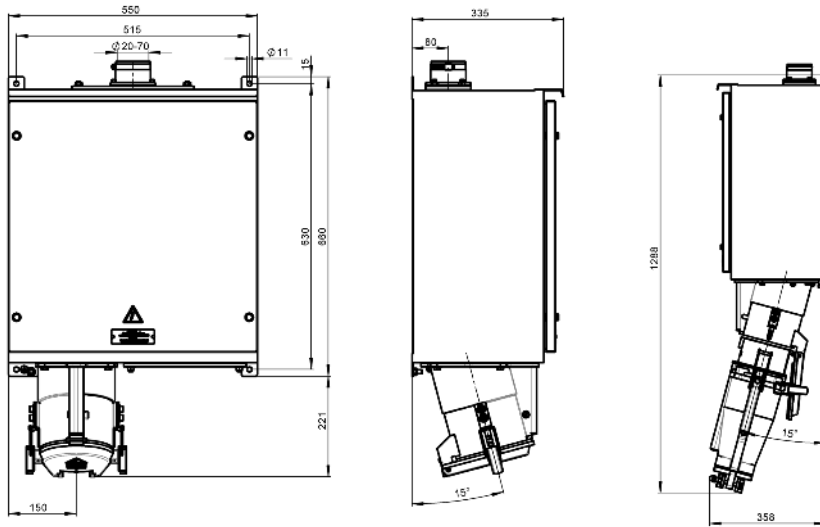


# CUBC B - Line



Current	No. of Poles	Voltage	Type designation	Article No.
250A	4 (3L+PEN)	230V	CUBC-S4/250 230V-9h	11830
		400V	CUBC-S4/250 400V-6h	11831
		500V	CUBC-S4/250 500V-7h	11832
		690V	CUBC-S4/250 690V-5h	11833
		1000V	CUBC-S4/250 1000V-1h	11834
	5 (3L+N+PE)	230V	CUBC-S5/250 230V-9h	11835
		400V	CUBC-S5/250 400V-6h	11836
		500V	CUBC-S5/250 500V-7h	11837
		690V	CUBC-S5/250 690V-5h	11838
		1000V	CUBC-S5/250 1000V-1h	11839
315 A	4 (3L+PEN)	230V	CUBC-S4/315 230V-9h	22970
		400V	CUBC-S4/315 400V-6h	22971
		500V	CUBC-S4/315 500V-7h	22972
		690V	CUBC-S4/315 690V-5h	22973
		1000V	CUBC-S4/315 1000V-1h	22974
	5 (3L+N+PE)	230V	CUBC-S5/315 230V-9h	22975
		400V	CUBC-S5/315 400V-6h	22976
		500V	CUBC-S5/315 500V-7h	22977
		690V	CUBC-S5/315 690V-5h	22978
		1000V	CUBC-S5/315 1000V-1h	22979
400 A	4 (3L+PEN)	230V	CUBC-S4/400 230V-9h	11840
		400V	CUBC-S4/400 400V-6h	11841
		500V	CUBC-S4/400 500V-7h	11842
		690V	CUBC-S4/400 690V-5h	11843
		1000V	CUBC-S4/400 1000V-1h	11844
	5 (3L+N+PE)	230V	CUBC-S5/400 230V-9h	11845
		400V	CUBC-S5/400 400V-6h	11846
		500V	CUBC-S5/400 500V-7h	11847
		690V	CUBC-S5/400 690V-5h	11848
		1000V	CUBC-S5/400 1000V-1h	11849

# CUBC A - Line



Current	No. of Poles	Voltage	Type designation	Article No.
500 A	4 (3L+PEN)	230V	CUBC-S4/500 230V-9h	25395
		400V	CUBC-S4/500 400V-6h	25396
		500V	CUBC-S4/500 500V-7h	25397
		690V	CUBC-S4/500 690V-5h	25398
		1000V	CUBC-S4/500 1000V-1h	25399
	5 (3L+N+PE)	230V	CUBC-S5/500 230V-9h	25410
		400V	CUBC-S5/500 400V-6h	25411
		500V	CUBC-S5/500 500V-7h	25412
		690V	CUBC-S5/500 690V-5h	25413
		1000V	CUBC-S5/500 1000V-1h	25414
600 A	4 (3L+PEN)	230V	CUBC-S4/600 230V-9h	25400
		400V	CUBC-S4/600 400V-6h	25401
		500V	CUBC-S4/600 500V-7h	25402
		690V	CUBC-S4/600 690V-5h	25403
		1000V	CUBC-S4/600 1000V-1h	25404
	5 (3L+N+PE)	230V	CUBC-S5/600 230V-9h	25415
		400V	CUBC-S5/600 400V-6h	25416
		500V	CUBC-S5/600 500V-7h	25417
		690V	CUBC-S5/600 690V-5h	25418
		1000V	CUBC-S5/600 1000V-1h	25419

