



**POSITIONING SYSTEM
APOS OPTIC**



APOS OPTIC – SYSTEM

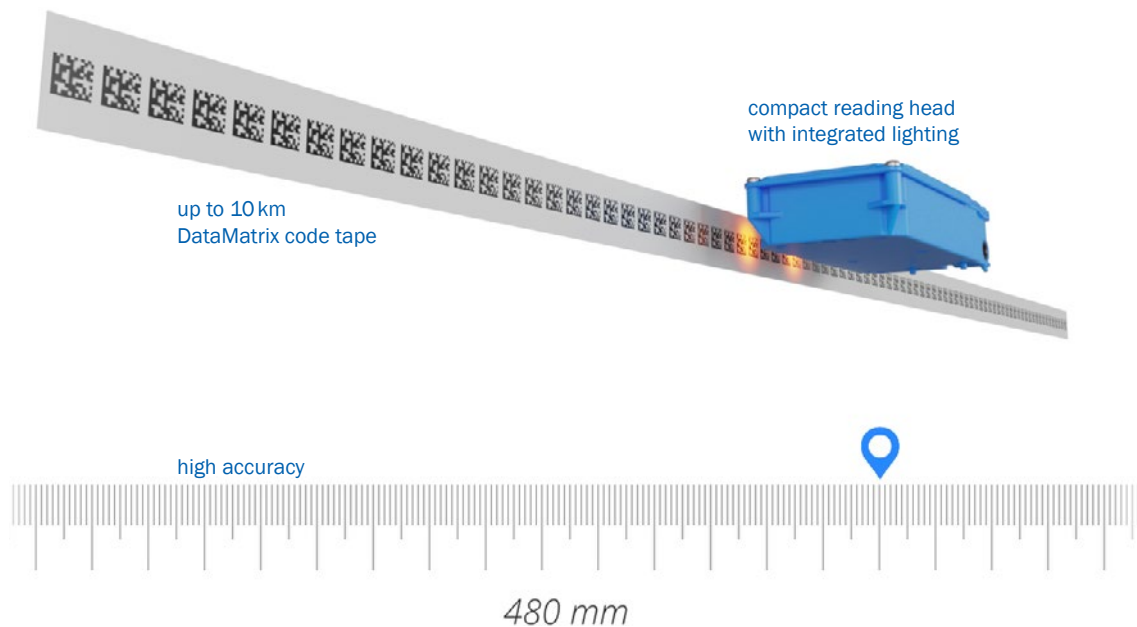
The production lines of modern industry are becoming increasingly intelligent, the degree of networking of the systems is rising rapidly - and with it the demands on process reliability. Automatically controlled conveyor systems along assembly lines must therefore be positioned with millimeter precision under all conditions.

VAHLE has developed an optical positioning system that meets this requirement at all times. Two cameras integrated in the reading head optically scan a DataMatrix code along the line and determine the absolute position without any reference movement. By simultaneously detecting up to six code fields, gaps of 40 millimeters can be reliably traversed. Integrated LED illumination ensures reliable detection even in demanding environments.

The code tape can be integrated into the support profile of the conveyor system by means of an aluminum rail or glued directly onto a continuous steel structure.

The APOS Optic system is optimized for combination with the VAHLE vDRIVE control systems and is also compatible with various VAHLE conductor systems (vPOWER). If required, the APOS Optic can be supplemented with further components for data transmission (vCOM) and designed as a system solution.

In addition, a comprehensive diagnostic kit is available to optimally align the reading heads and also ensures comprehensive diagnosis of the system in the event of a fault.



ADVANTAGES

- Absolute position
- Contactless process
- Plant lengths up to 10 km
- Extensive diagnostic kit
- Compact dimensions
- Simple installation of the reading head on the base plate of the current collector
- Low susceptibility to errors due to DataMatrix code
- High compatibility with various conductor and control systems
- Various interfaces / protocols available (RS485, SSI, PROFINET, PROFIsafe)

APPLICATIONS

- Electric monorail systems (EMS)
- Electric pallet systems
- Skillet lines

SERIAL READING HEADS

ELECTRICAL DATA

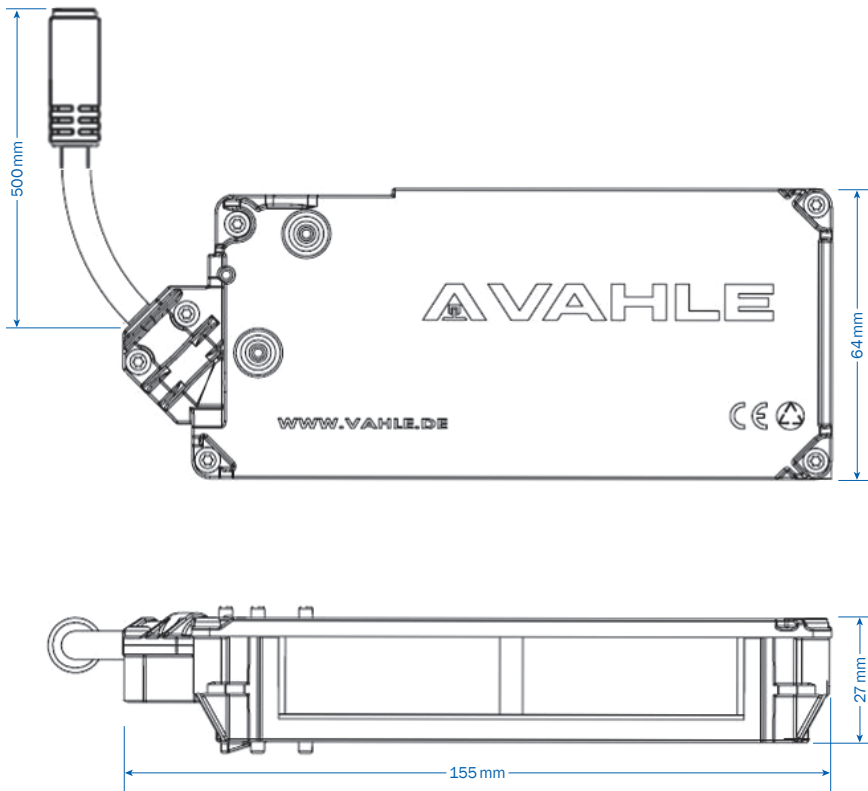
Voltage	24 VDC (20 ... 30 VDC)
Power consumption	Max. 130 mA
Power input.....	<3 W
Start-up time	<2 sec



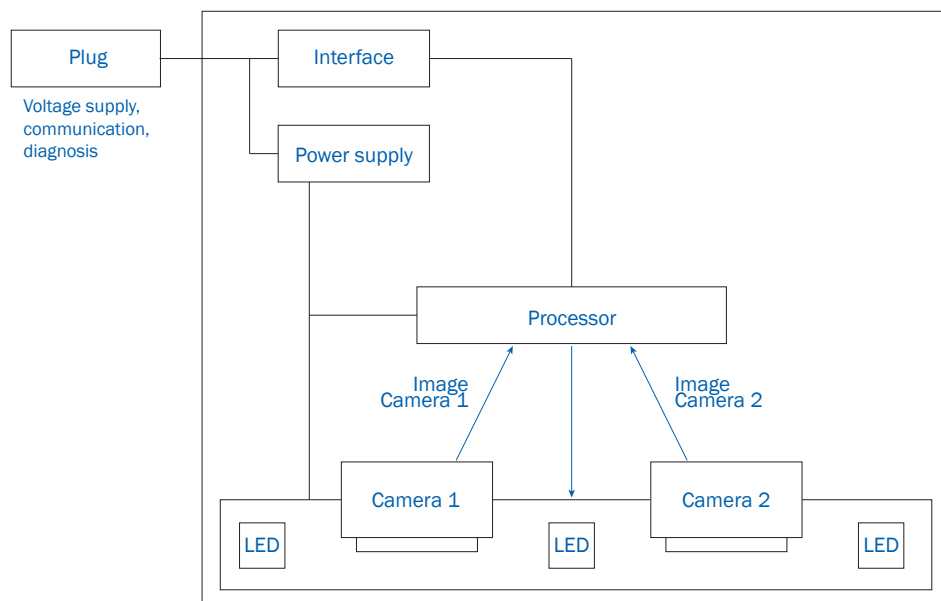
M-12 CONNECTIONS

Plug coding	4-pole A-coded (RS485)
	8-pole A-coded (SSI)

DIMENSIONS



BLOCK DIAGRAM



RANGE OF PRODUCTS

Description		Order No.
LK-03-RS485-D-576-D1-54	Serial reading head with RS485 interface / VAHLE Protocol / 29 mm	10011578
LK-02-RS485-D-576-D1-54	Serial reading head with RS485 interface / VAHLE Protocol / 36 mm / 57,6 kBit/s	10004140
LK-02-RS485-S-625-D1-54	Serial reading head with RS485 interface / Sick/Leuze binary protocol / 36 mm / 62,5 kBit/s	10005457
LK-02-RS485-D-576-DX-54	Serial reading head with RS485 interface / VAHLE Protocol / 36 mm / 57,6 kBit/s / Inverted version	10013786
LK-02-SSI-4-D1-54	Serial reading head with SSI interface / Gray PST / 36 mm	10014882

PROFINET READING HEADS

ELECTRICAL DATA

Voltage	24 VDC (20 ... 30 VDC)
Power consumption	Max. 600 mA
Power input.....	<13 W
Start-up time	<2 sec

M-12 CONNECTIONS

Plug coding	4-pole A-coded
	4-pole D-coded

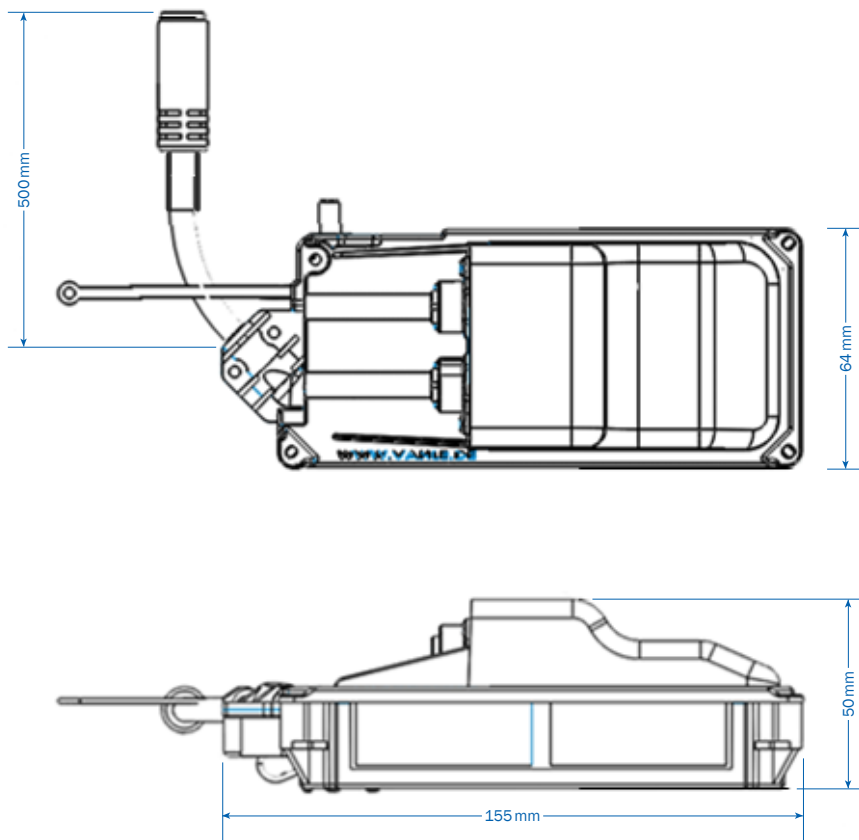


Standard version



PROFISAFE version

DIMENSIONS



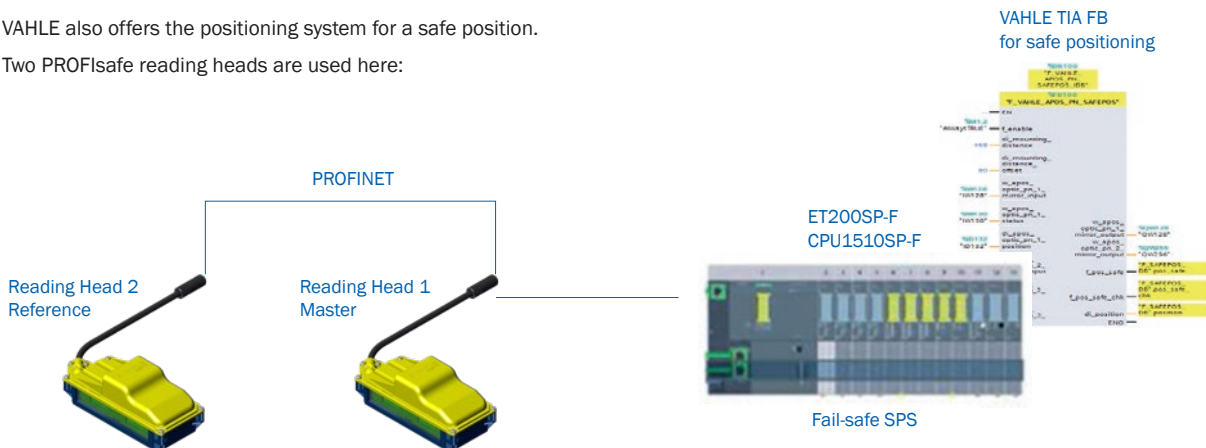
RANGE OF PRODUCTS

Description		Oder No.
LK-02-PNIO2-S-D1-54	Serial reading head with PROFINET interface / 36 mm	10011072

PROFISAFE READING HEADS (SAFE POSITION)

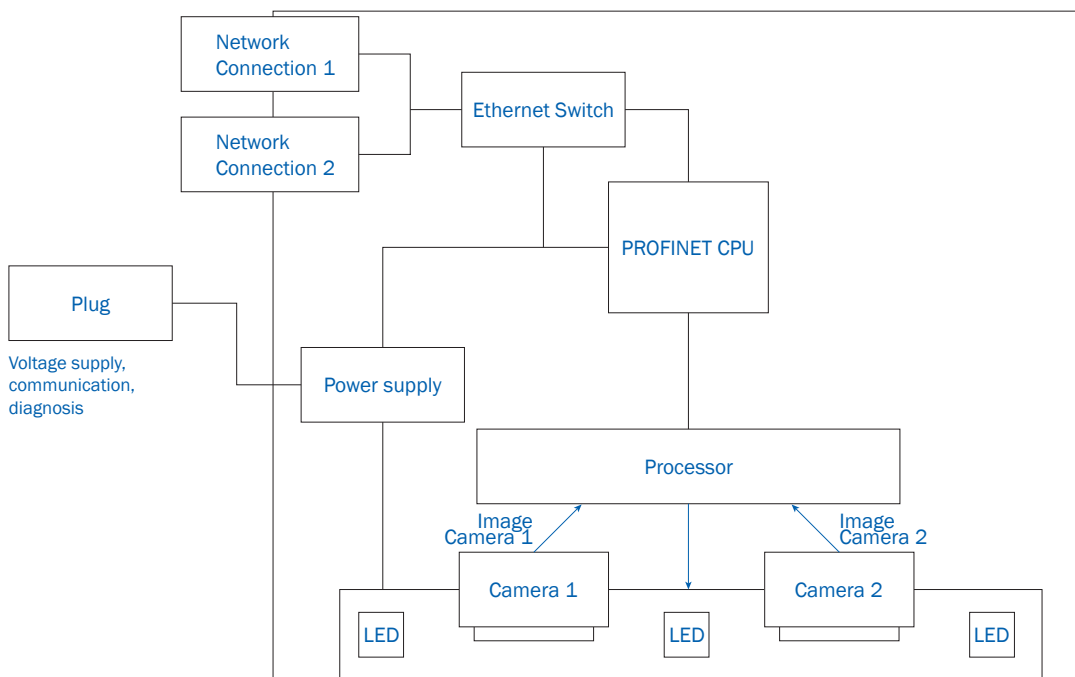
VAHLE also offers the positioning system for a safe position.

Two PROFIsafe reading heads are used here:



A TIA module and a GSDML file are supplied. The system is certified according to Performance Level d, Cat. 3.

BLOCK DIAGRAM



RANGE OF PRODUCTS

Description	Order No.
LK-02-PNIO2-SAFE-DX-54	Serial reading head with PROFINET interface / safety / 36 mm
	10013679

MECHANICAL COMPONENTS

DATAMATRIX CODE STRIP

Description		Order No.
CODEBAND CB25-10X10...	DataMatrix code strip / 50 m- or 100 m-roll	100 ...

VAHLE UNIVERSAL BRACKET FOR READING HEAD

Description		Order No.
VTS-HLK-SHE-SB	Universal bracket for reading head	0144509/00

VAHLE MOUNTING BRACKET*

Combination with current collectors on shared base plate

Description		Order No.
VTS-HLK-GFL-LB	Mounting bracket for serial reading head on base plate – long version	0144509/00
VTS-HLK-GFK-LB	Mounting bracket for serial read head on base plate – short version	0144333/00

CARRYING SYSTEM

VAHLE offers both a 28 mm and a 50 mm carrier system. Any code strips can be affixed to this system. The 28 mm support system can be used separately or integrated in a VAHLE universal bracket.

VAHLE also offers various compact holders in which the holders of the carrying system are directly integrated.



VAHLE CARRYING SYSTEM 28 MM

Description		Order No.
VTS-TP-28x2x6000-K	Support profile for code strip / 6000 m	0144483/00
VTS-AH-28-K	Hanger for support profile	0144409/00
VTS-VM-28-B-K	Connector kit for support profile	0144411/00
VTS-DV-28-30-800-K	Expansion joint	0144484/00
VTS-EL-RKKA-2,5-135-RK-S	Earth connection cable	0144312/00
VTS-DPK-...	Distance plate for support profile / differen heights	014...
SHR-F.KST-EJOT-WN1413-KA-(A2K)-2,5X6	Screw / fix point	10011860

VAHLE CARRYING SYSTEM 50 MM

Description		Order No.
TRAGPROFIL FÜR CODEBAND 50 X 2	Support profile	0144440/00
VTS-VM-50-K-B	Connector	0144439/00
VTS-DV-50-30-800-K	Expansion joint	0144441/00

* only for serial variants

VAHLE DIAGNOSIS KIT

With the aid of the universal diagnostic adapter in combination with our comprehensive ServiceTool software, any VAHLE APOS Optic reading head can be connected to the PC. Due to the wired connection, interferences during diagnosis are excluded. By means of the APOS ServiceTool-Lite, which is installed on the computer, the data of the reading head can be checked out, updates can be provided, the code strip can be checked and errors on the reading head can be diagnosed.

The CodeGenerator software, which is also included in the kit, is used to generate code strips. If the code strip is damaged, the position data can be used to quickly create the defective code strip piece on the PC and print it out on foil paper on any printer suitable for the paper.



The APOS Optic Diagnosis Kit is used for:

- Diagnosis of all APOS Optic reading head types
- Update of reading heads
- Cecking of reading heads
- Checking the code strip (viewer function)
- Reprinting damaged code strip pieces (CodeGenerator)

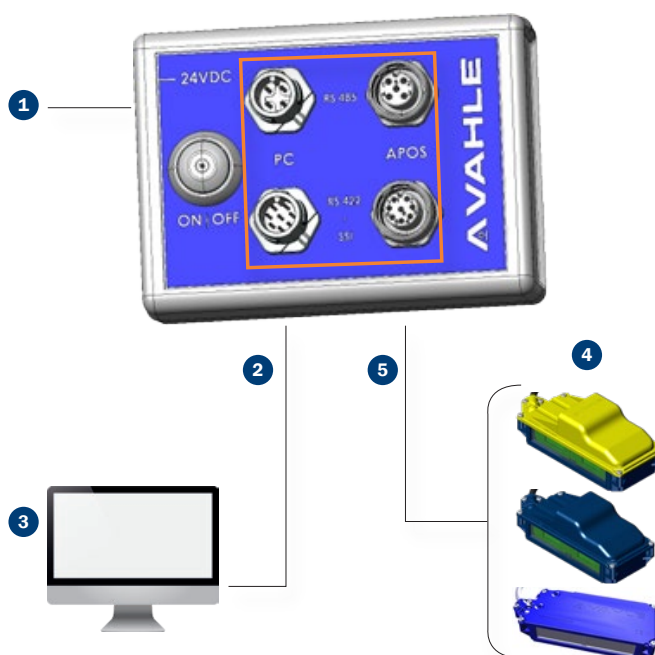
1 Power supply – power supply unit 24 VDC or adapter cable M12 to DC connector

2 USB adapter cable adapter to PC
Versions: USB/RS485, USB/RS422

3 PC with installed APOS ServiceTool-Lite

4 Connectable reading heads
APOS Optic System: RS485, SSI, PN Standard, PN Safe

5 Connection cable of the reading head



RANGE OF PRODUCTS

Description		Order No.
APOS Optic Diagnosis Kit	Diagnosis kit (Hardware and Software-Tool) for all reading heads	10014747

NOTES

A large grid of small dots for taking notes, covering most of the page. The grid is composed of small, light gray dots arranged in a regular pattern. The grid starts below the 'NOTES' header and extends to the bottom of the page, leaving a small margin at the bottom. The dots are arranged in approximately 30 columns and 50 rows.

NOTES



A large grid of small dots for taking notes, covering most of the page. The dots are arranged in a regular pattern, forming a grid that is approximately 30 columns wide and 40 rows high. The grid is intended for writing notes.



Paul Vahle GmbH & Co. KG

Westicker Str. 52
59174 Kamen
Germany

Phone: +49 2307 704-0

Fax: +49 2307 704-444

info@vahle.de

www.vahle.com