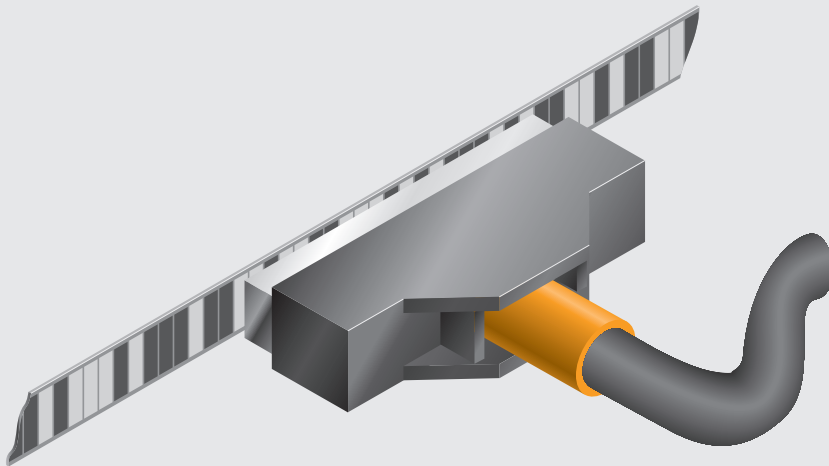




vPOS – POSITIONING SYSTEMS
APOS MAGNETIC



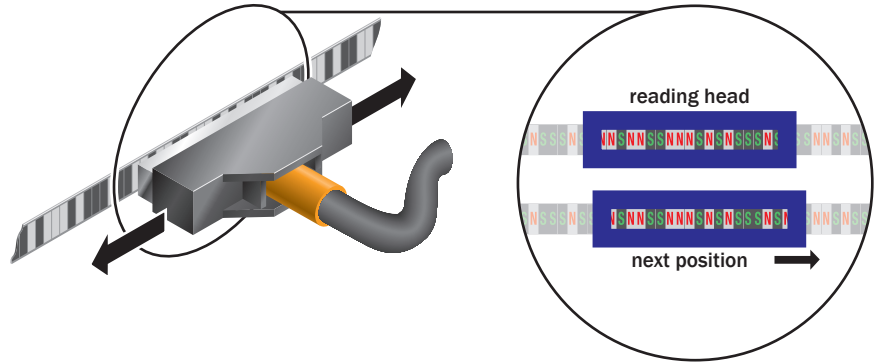
APOS POSITIONING SYSTEMS WITH VAHLE CONDUCTOR LINES

APOS positioning systems were developed for automated handling systems in material flow technology.

The control system can constantly query the absolute position of the mobile consumer.

OPERATING PRINCIPLE

VAHLE-APOS consists of a code strip with a magnetic length coding as a reading head with integrated logic, which transmits the position to the control system via the interface. The intelligent reading head determines the position from the code strip and evaluates it for downstream control systems for processing.



SYSTEM ADVANTAGES

- absolute position determination up to 515 m with sliding version
- Space-saving solutions for integration into the powerail system or for installation in parallel to the runway
- retrofittable for U 10, FABA 100 and VKS 10
- absolute position immediately available when switching on or after a power failure
- travel speed up to 6 m/s
- reliable position detection even in humid or dusty environments
- trouble-free functionality even in poor lighting conditions
- the system enables the combination of horizontally and vertically combined handling equipment
- wear detection (depending on interface)

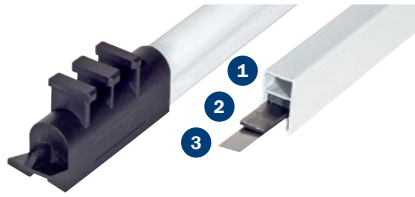
OVERVIEW OF APOS COMPONENTS

CODE STRIP



The code strip comes factory assembled with a cross-magnetised specified code and is thus given a digital length coding.

CODE RAIL



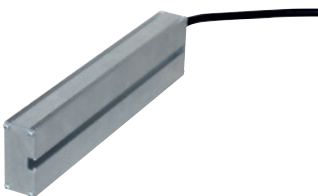
The code rail consists of the support profile ⁽¹⁾, the code strip ⁽²⁾ and the sliding strip ⁽³⁾. The sliding strip serves for the mounting and sliding guidance of the APOS LKG-17 reading head.

LKG-17 READING HEAD



Sliding scanner for powerail systems U 10, VKS 10 and FABA 100.

LB-15 READING HEAD



Contactless scanning for powerail systems KBH and MKL.

READING HEAD CARRIER LW



Guide carrier for the mounting of the LB contactless reading head for KBH and MKL conductor line systems.

SU INTERFACE MODULE

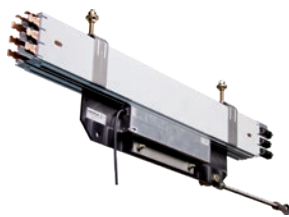


Logging of APOS to CANopen, Profibus DP and others.

INTELLIGENT POSITIONING SOLUTIONS WITH VAHLE AND APOS PERFECTLY INTEGRATED AND RETROFITTABLE



KBH



MKH

RANGE OF PRODUCTS: READING HEADS (CONTACTLESS)

Type	Protocol	Order No.
LK-LB15A-RS485-5000-54	RS485	10016941
LK-LB15A-STAHL2-5000-54	STAHL2	10016942
LK-LB15A-SSI_BC-5000-54	SSI Binary protocol	10016943
LK-LB15A-SSI_GC_PRE-5000-54	SSI GRAY PRE (Siemens)	10016945
LK-LB15A-SSI_GC_PST-54	SSI GRAY PST (SEW)	10016946

RANGE OF PRODUCTS: ACCESSORIES

Type	Description	Order No.
LK-LWK	Reading head carrier LWK/ KBH conductor system	2823445
LK-LWM	Reading head carrier LWM/ MKH conductor system	2823261
APOS-SU-1-RS485/PB-LB+V	Interface module / contactless B RS485 / Profibus	2823263
ZB-ZAK	Accessories APOS – KBH/ ZAK 1x right end and 1x left end and fix point	2823281
ZB-ZAM	Accessories APOS – MKL/ MKH – ZAM 1x right end and 1x left end and fix point	2823282
FP75-25-KBH	Fixing profile FP 75-25/ KBH	2823257
FP75-20-MKH	Fixing profile FP 75-20/ MKH	2823280
CB-75/15-262	Code strip 7.5 mm KBH/ MKH	2823254
MZ-EZR9/10-MKL/H	Conductor threading tool	234730



Paul Vahle GmbH & Co. KG

Westicker Str. 52
59174 Kamen
Germany

Tel.: +49 2307 704-0
Fax: +49 2307 704-444
info@vahle.de

www.vahle.com